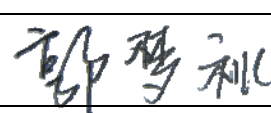




金龙机电股份有限公司
JINLONG MACHINERY & ELECTRONIC CO., LTD.
 www.jinlong-machinery.com
 sales@jinlong-machinery.com

规格书

SPECIFICATION

| | | |
|------------------|---|--|
| 客 户 信 息 | 客户名称/Customer | |
| | 客户料号/Part No. | |
| | 客户承认签章 Customer Approved Signatures | |

| | | |
|---|---|---|
| 文件编号/Spec No. | KOTL-B-721 | |
| 品名/Description | 圆柱直流马达/Cylindrical DC motor | |
| 型号/Part No. | Z6CH1A0082352 | |
| 设计/Designed | 审核/Checked | 批准/Approved |
|  |  |  |
| 2009.03.14 | 2009.03.14 | 2009.03.14 |

规格书内容/Contents

| | |
|--|-----|
| 1、适用范围/ General Scope | 3/9 |
| 2、使用条件/ Operating Conditions | 3/9 |
| 3、测定条件/ Measuring Conditions | 3/9 |
| 4、机械要求/ Mechanical Specifications | 3/9 |
| 5、性能特征/Performance and characteristics | 4/9 |
| 6、可靠性/Reliability | 5/9 |
| 7、要求/Requirements | 6/9 |
| 8、使用时注意事项/ attentions | 6/9 |
| 9、包装/Packaging | 7/9 |
| 10、外形图/Outline Drawing | 8/9 |
| 11、修改记录 / REVISION HISTORY | 9/9 |

| | |
|--------------|---------------|
| 型号/ Part No. | Z6CH1A0082352 |
|--------------|---------------|

1. 适用范围/ General Scope
 本说明书适用于圆筒式永磁直流电机 Z6CH1A0082352 型
 This specification applies to cylindrical permanent-magnetic motors DC model
 Z6CH1A0082352

2. 使用条件/ Operating Conditions

| 项目/Item | 规格/Specifications | 条件·备注/Conditions & Remarks |
|-----------------------------------|---|--|
| 2-1 额定电压 Rated voltage | 1.3V DC | |
| 2-2 额定负荷 Rated load | 振子 Counterweight | 见 10. 外形图 As specified in 10. Outline Drawing |
| 2-3 旋转方向 Rotation | C.W/C.C.W (clockwise or counter clockwise) | |
| 2-4 马达位置 Motor position | 全方位 All position | |
| 2-5 使用电压范围 Operating voltage | 0.9~1.6V DC | |
| 2-6 使用环境 Operating environment | -30 ~ 70℃, 常湿 /Ordinary Humidity:65±20%RH | 无水气凝结 No condensation of moisture |
| 2-7 保存环境 Storage environment | -40 ~ 80℃, 常湿 /Ordinary Humidity:65±20%RH | 无水气凝结 No condensation of moisture |

3. 测定条件/ Measuring Conditions

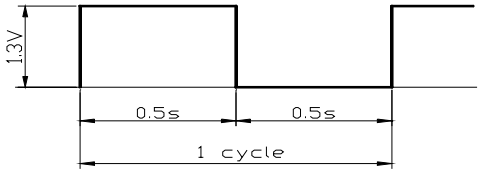
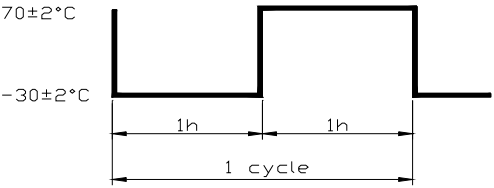
| 项目/Item | 规格/Specifications | 条件·备注/Conditions & Remarks |
|--------------------------|--------------------------------|--|
| 3-1 温度 Temperature | 20±2℃ | |
| 3-2 湿度 Humidity | (63%~67%) RH | |
| 3-3 位置 Motor position | 轴向水平 Motor shaft horizontal | 将马达固定在试验台上 Lock the motor in a test fixture |

标准测试条件为温度 20℃, 湿度 65%。如无疑异, 也可在温度 5~35℃、湿度 45~85% 的条件下测试。马达测试时, 放置方向为轴向水平。/The measurement at 20℃ & 65%RH is standard. If the judgment is not questionable, recognize measurement at 5℃ to 35℃ & relative humidity 45% to 85%. Direction of motor is shaft horizontal.

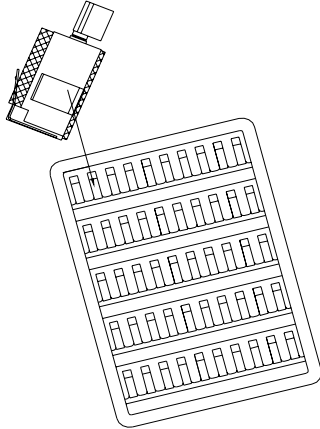
4. 机械要求/ Mechanical Specifications

| 项目/Item | 规格/Specifications | 条件·备注/Conditions & Remarks |
|--|--|--|
| 4-1 结构 Configuration | 见 10. 外形图 As specified in 10. Outline Drawing | Outline drawing No: Z6CH1A0082352 |
| 4-2 外观 Appearance | 不含有机机械损坏及不适当的浸蚀等。 There shall be no evidence of mechanical damage and shall not have inadequate corrosion and so on | 目测 (容许范围根据样品外形) Visual examination(allowable extent is based on boundary sample) |
| 4-3 轴向间隙 Shaft end play | 0.1mm~0.3mm | |
| 4-4 振子固定力 Holding strength of vibration weight | 49N (5kgf) Min | |

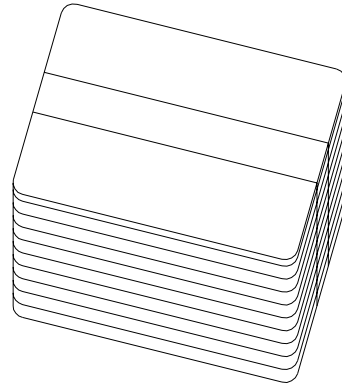
6. 可靠性/Reliability

| 项目/Item | | 规格/Specification | | | | | 判定标准/Judgment | |
|---------|-----------------------------|---|--|--------------------|------------|------------|---|-------------------|
| 6-1 | 寿命 Life time |  | | | | | 在常温常湿下放置 2h 后, 马达应符合项 7-1 的要求。 After 2 hours exposure in ordinary temperature and humidity, Motors shall be approved as specified in item 7-1. | |
| | | 位置 Position | 电压 Volt | 负荷 Load | 温度 Temp | 湿度 Humi | | 寿命 Life |
| | | 轴水平 Horizon | 额定 Rated | 重量 Weight 振子 | 20°C | 65% | | 200,000 Cycles |
| 6-2 | 低温放置 Low temp exposure | 温度 时间 | /Temperature: $-40\pm 2^{\circ}\text{C}$ /Time: 96h | | | | 在常温常湿下放置 2h 后, 马达应符合项 7-2 的要求。 After 2 hours exposure in ordinary temperature and humidity, Motors shall be approved as specified in item 7-2. | |
| 6-3 | 高温放置 High temp. Exposure | 温度 时间 | /Temperature: $60\pm 2^{\circ}\text{C}$ /Time: 96h | | | | | |
| 6-4 | 湿度放置 Humidity exposure | 温度 湿度 放置时间 无水气凝结/No condensation of moisture | /Temperature: $40\pm 2^{\circ}\text{C}$ /Humidity: 90~95%RH /Exposure time: 96h | | | | | |
| 6-5 | 振动 Vibration | 全振幅 频率 加速度 周期 方向 时间 | /Displacement : 1.5mm (p-p) /Frequency: 10 ~ 55Hz /Acceleration: 22m/s^2 /Period: 20min 完成 10~55~10Hz /20 Minutes log sweep 10~55~10Hz /Direction: x, y, z /Time: 每个方向 2h /Each 2 hours | | | | | |
| 6-6 | 自然跌落 Free fall | 试验状态/Test state:将马达固定在约 75 克 (包括马达本身) 的物体上, 落向水泥地面。 Set the motor to the approximately 75g (include the motor) weight of block drop the motor on the concrete floor. 高度 方向 次数 | /Height: 1.5m /Direction: 6 个面 / 6 faces /Number of times: 每个面 2 次 / Twice 2 each | | | | 测试结果应符合项 7-2 的要求。 After the test motors shall be approved as specified in item 7-2. | |
| 6-7 | 热冲击 Heat shock test | 试验循环 70±2°C -30±2°C | /Test cycle :20 cycles  | | | | 在常温常湿下放置 2h 后, 马达应符合项 7-2 的要求。 After 2 hours exposure in ordinary temperature and humidity, Motors shall be approved as specified in item 7-2. | |

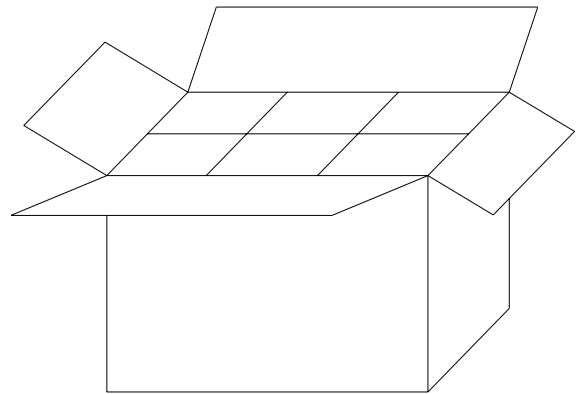
Z6CH1圆柱马达包装 Pack drawing of Z6CH1 cylindrical type



50PCS (1 tray) × 10



500PCS (1 bundle) × 6



包装试验要求/ Package Test Requirement:
标准/ Criterion:

1. 整箱重量小于等于9kg的, 跌落高度设定为75cm.
/ The weight of the whole carton less than 9kg, the dropping height is 75cm.
2. 整箱重量大于9kg但小于等于23kg的, 跌落高度设定为60cm.
/ The weight of the whole carton more than 9kg and less than 23kg, the dropping height is 60cm.

试验方法/Test Methods:

跌落要求为六面三棱一角./Dropping requirement is 6 faces, 3 arris, 1 angle.

六面: 先从最大两面跌, 然后是中间大小的两面, 最后跌最小的两面, 一共六次。

/6 faces: First dropping with two biggest faces, then dropping with another two middle faces, at last dropping with two smallest faces, once per face, total 6 faces.

三棱: 指任选三条同一角的棱, 跌落秩序: 最长棱, 中间长度, 最短的, 一共三次。

/ 3 arris: Choose any 3 arris which make up of the same the angle, the dropping sequence is the longest arris, middle arris, shortest arris. Total 3 times.

一角: 指上一步三条棱所组成的角, 跌落一次。

/ 1 angle: Point to the angle which is made up with the 3arris in the above step, Dropping for 1 time.

判定基准/ Judgement Criterion:

经过跌落试验后, 产品外观、性能无不良。

/ After drop test, no evidence of damage on the appearance and performance.

Remarks:

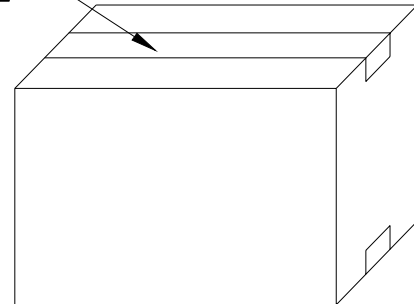
1000PCS/CTN: 24cm × 17.5cm × 27.5cm

2000PCS/CTN: 34cm × 24cm × 27.5cm

4000PCS/CTN: 47cm × 34cm × 27.5cm

6000PCS/CTN: 51cm × 47cm × 27.5cm

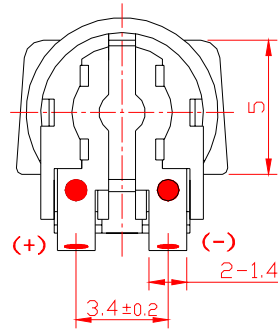
OPP TAPE



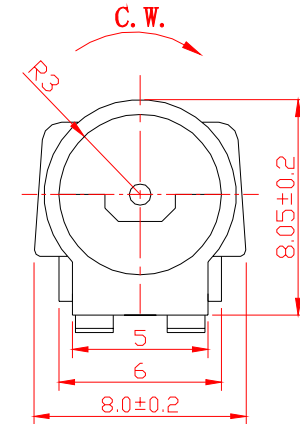
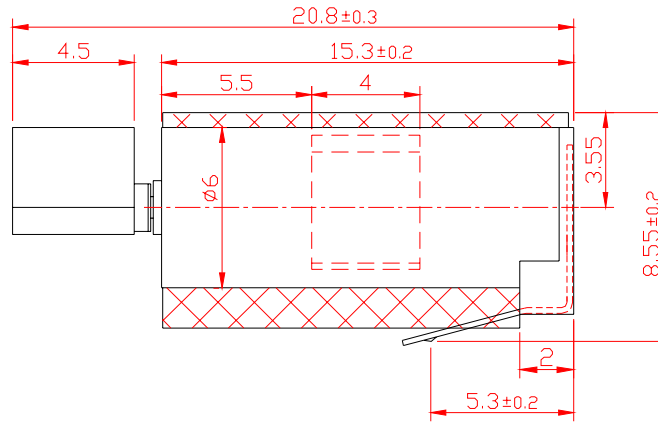
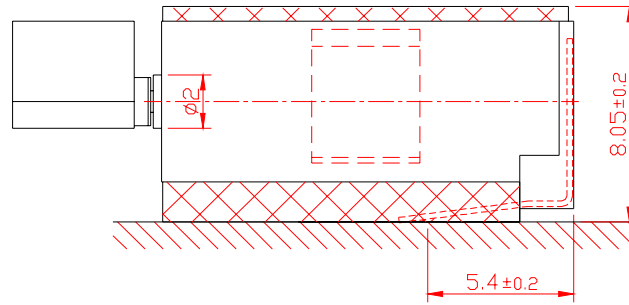
10. 外形图/Outline Drawing

www.jinlong-machinery.com

Z6CH1A0082352



A向



技术要求/Technical Requirements:

1. 额定电压/Rated voltage: 1.3V
2. 额定电流/Rated current: 80mA Max
3. 额定转速/Rated speed: 7,500 ± 2000rpm
4. 堵转电流/Stall current: 145mA Max
5. 端子阻抗/Terminal resistance: 11Ω(±20%)
6. 起动电压/Starting voltage: 0.75V Max
7. 轴向间隙/Shaft end play: 0.1~0.3mm
8. 所有尺寸为A向压紧后的尺寸(不包括轴向间隙)/Overall length is measured after counterweight being pressed against body in direction A. (Shaft end play is not included.)
9. 未注线性公差为/Unmarked tolerance: ±0.1mm

借(通)用件登记

底图总号

签字

日期

| 标记 | 处数 | 分区 | 更改文件号 | 签名 | 日期 |
|----|-----|------------|-------|-----|------------|
| 设计 | 郭梦秋 | 2009.03.14 | 标准化 | 张其泰 | 2009.03.14 |
| 校对 | 杨兰 | 2009.03.14 | | | |
| 审核 | 陈文泰 | 2009.03.14 | | | |
| 工艺 | 刘林兵 | 2009.03.14 | 批准 | 项瑞莹 | 2009.03.14 |

jinlong-machinery.com

金龙机电股份有限公司

外形图

Z6CH1A0082352

阶段标记 重量 比例

5:1

共页 第页

2009.03.12

说明书/Specification

编号/NO. KOTL-B-720

代码/code: 0

8/9

